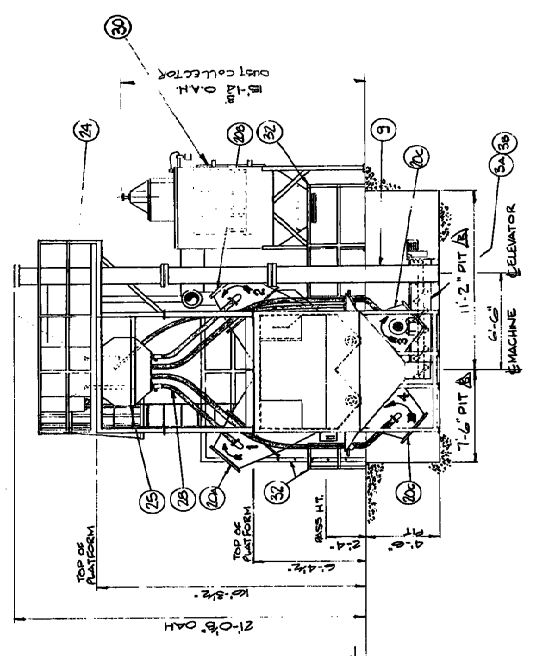
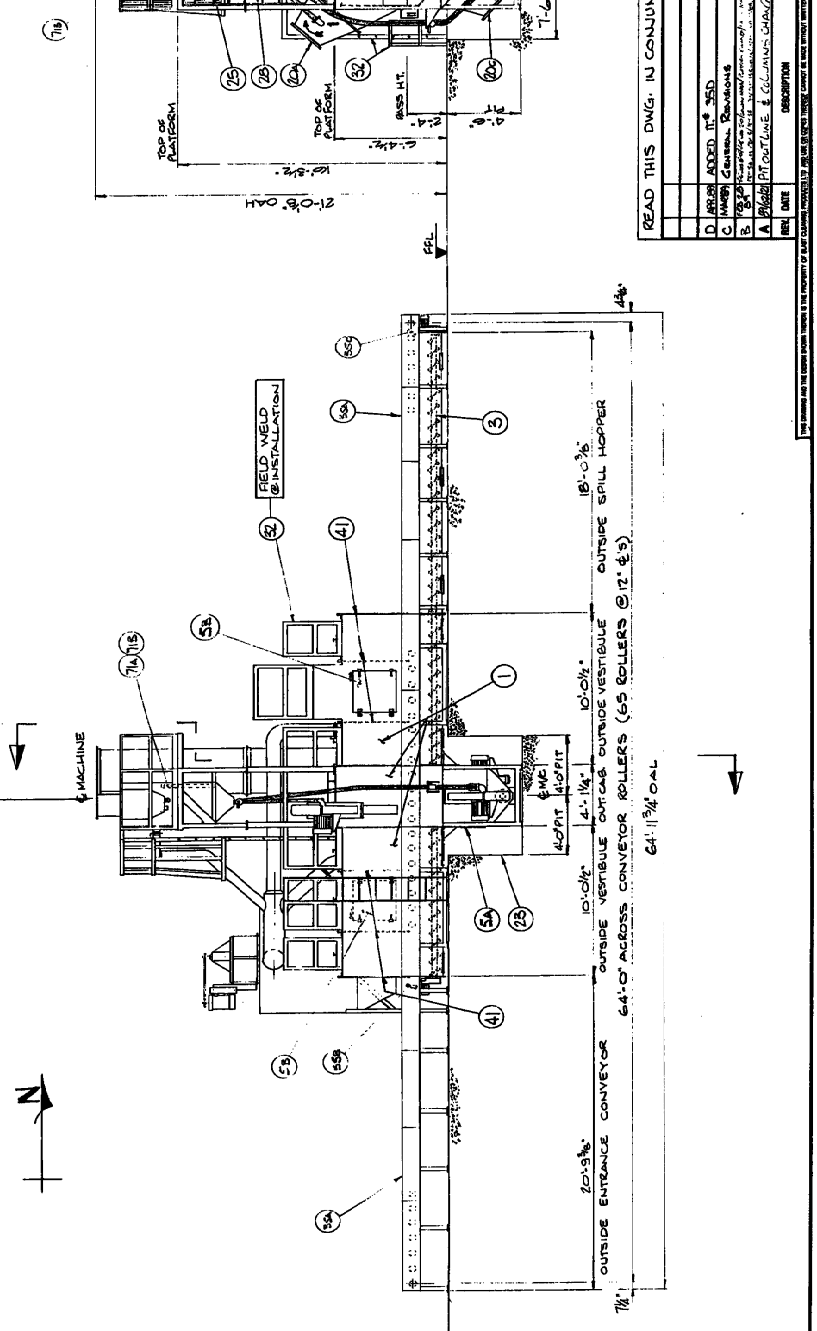
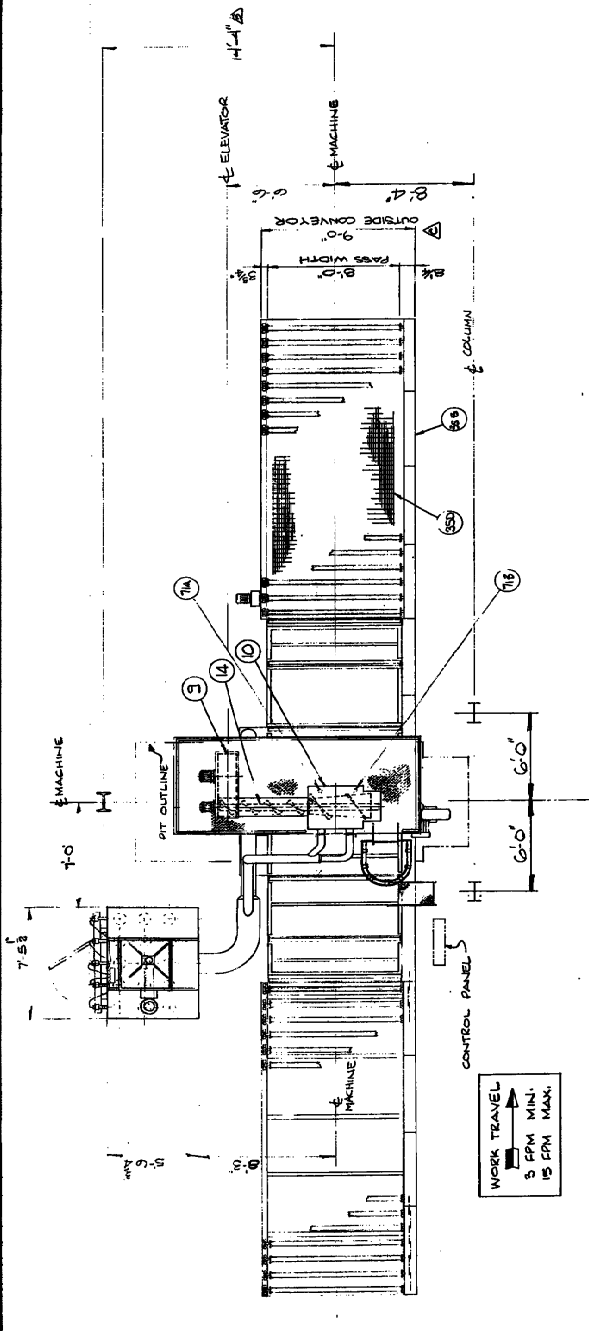


DWG. NO. AI-12855

ITEM	QTY.	PART NO.	DWG. NO.	DESCRIPTION	WT.
1		C42224	AI-12704	CABINET VESTIBULE ASSET	1828
5		C42119	AI-12733	SCREW CONVEYOR ASSET	1817
5A		C42120	AI-12830	DRIVER GEARERS DRIVE	2415
5		C42233	AI-12715	ELEVATOR	2415
10		C42248	AI-12816	SEPARATOR	606
14		C42502	AI-12866	UPPER SCREW & ROTARY SCREEN	(SEE) (12)
15		AI-2025	MOTOR LIST		
15A		C42492	AI-12802	ENTRANCE VESTIBULE LINE ASST. (SEE) (12)	
15		C43039	AI-12818	DUCTING ASSET	
20A		C41261	AI-12646	BLAST WHEEL NS 1	742
20B		C41302	AI-12646	BLAST WHEEL NS 2	742
20C		C41364	AI-12647	BLAST WHEEL NS 3 & 4	484
23		AI-12806	PIT ARRANGEMENT		
24		C42492	AI-12804	SUPERSTRUCTURE	2433
25		C42545	AI-12712	STORAGE HOPPER	312
27		C42517	AI-12772	CABINET LINER ASST (NOT SHOWN)	118
28		C43339	AI-12819	FEED PIPE ASST	118
29		AI-2079	FIELD MATERIALS		
30		C42103	AI-12819	DUST COLLECTOR	2894
32		C42550	AI-12810	SAFETY HANDRAIL & LADDER ASST 914	2894
36A		C42464	AI-12824	WORK CONVEYOR ASST	1143
36B		C42703	AI-12803	EXIT VESTIBULE LINE ASST (NOT SHOWN)	1093
41		C42592	AI-12853	VESTIBULE SEAL ASST	204
48		C43079	AI-12901	TRUCK OVERFLOW PIPE ASST	204
51		C42583	AI-12786	GRASS TOUCH COVER	152
52		C42511	AI-12786	GRASS TOUCH COVER	603
53		AI-12987	AI-12987	Vestibule Address Panel	204
54		C43191	AI-12814	EXIT CAN-VALVE SWITCH	58
55		C41359	AI-12815	ULC. LOCAL ASST. 2085	
56		C41359	AI-12815	ULC. LOCAL ASST. 2085	
57		C43429	AI-12820	BLANK-OFF ASST	
58		AI-2080	INSTRUMENTATION DEVICE		
59		C43192	AI-12845	EXIT CONVEYOR SWITCH	52
59		C43600	AI-12801	SPILL HOPPER BAR GATING	52



READ THIS DWG. IN CONJUNCTION WITH AI-12868

BCP BLAST CLEANING PRODUCTS LTD.
 1160 827-0400

D. ASSESS	AI-12855	4 WHEEL STRUCTURAL	DWG. NO. 88	SEPARATOR	WEIGHT
E. ASSESS	AI-12855	BLAST MACHINE	GROUP 22	BLANK-OFF ASST.	47,900
F. ASSESS	AI-12855	GENERAL ARRANGEMENT	SCALE 1/4"=1'-0"		